

INVISIBLE EYE: AN ADVANCED SECURITY SYSTEM

K.Sivaraman¹, Dr.J.Sandeep Anand²

Assistant Professor¹ Professor²

Department of CSE, BIST, BIHER, Bharath University, Chennai.

sivaraman.cse@bharathuniv.ac.in

ABSTRACT

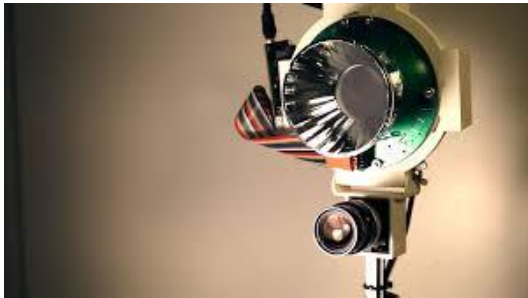
The most important agenda of this work is to design advanced security with less costly and less complex device referred as “Invisible Eye”. In this contemporary generation, assets crimes are greater principal which necessitates developing a complicated security system.

It is a unmarried digicam based protection system which is used to defend the property stored in room. This machine can be used whilst slew around the room and recorded whilst it's far alerted through the presence of any intrusion. Manager can only view the footage which changed into alerted on the presence of intrusion.

This form of device could result in less time consuming and this will assist to preserve tune of the intruder easily in less time. Once the intruder has been detected this records about intrusion can be directed to the cop thru the E-mail. Such a gadget would consist 3 additives – sensors that detect intrusion; the digicam that slews to the factor of intrusion and takes pics; and the keypad this is used to interface with the gadget which allows any person to disable the device by way of entering the right password.

KEYWORDS: security system, Digicam, sensors, Recorded whilst, microcontroller.

1.INTRODUCTION: In this contemporary era, belongings crimes are extra most important. This necessitates our want to expand a complicated protection system which is the INVISIBLE EYE. It is largely a single digicam based totally security gadget that can be used to defend valuables kept in a room of a house or belongings. Most existing digicam based protection structures involve the use of more than one cameras located around the room to be monitored[1-6]. These cameras continuously file video footage of the room and store it on a relevant monitoring station. Instead of this, we may additionally use a distinctive device in which a unmarried camera is used, that can slew around the room and report simplest when it's far alerted through the presence of any intrusion. This type of machine mainly consist of three components- sensors that identify intrusion; the digital camera that slews to the factor of intrusion and clicks pictures; and the keypad that is used to interface with the device which lets in any individual to disable the machine by getting into the proper password[7-13].



2.DESIGN METHODOLOGY

Invisible eye a complicated protection gadget is especially designed to apply a single camera to carry out the security[14-20]. The reason for protection is, the user of a device may additionally have treasured property saved in his home, or a jewellery store proprietor want safety at night instances for his assets. The present technologies have many negative aspects like a couple of digital camera's, more value, power intake, the proprietor has to continually view the recording of the footage without any warranty of the theft. One can design the version the usage of one of a kind sensors like motion sensor, vibration sensor, the motion sensor detects the movement of a person in that unique location in which a sensor is placed. Once the sensor, senses the motion or vibration it sends that data of movement to the Microcontroller. Here we're the usage of stepper motor, wireless camera and additionally a PC.

Today's protection structures are extremely powerful in stopping burglary and thefts in addition to helping police reply to emergency conditions. The mainstay of the house protection gadget is genuinely the excessive decibel siren. Today the siren is used to ward off could be intruders not for tracking functions. In most cases home security systems are monitored by means of large groups with more than one monitoring.

3.MODERN SYSTEM:

Today's security structures are extraordinarily effective in stopping housebreaking and thefts in addition to supporting police reply to emergency situations. The mainstay of the home safety gadget is sincerely the excessive decibel siren. Today the siren is used to thrust back might be intruders now not for monitoring functions. In maximum instances home safety structures are monitored by using large businesses with more than one monitoring centers. These facilities house endless educated professionals who are there in times of want for houses and corporations throughout the united states of America[21-27]. These monitoring facilities also can offer aid for different ability screw ups consisting of carbon monoxide, fire, freezing pipes, and much greater.

4.HARDWARE PART:

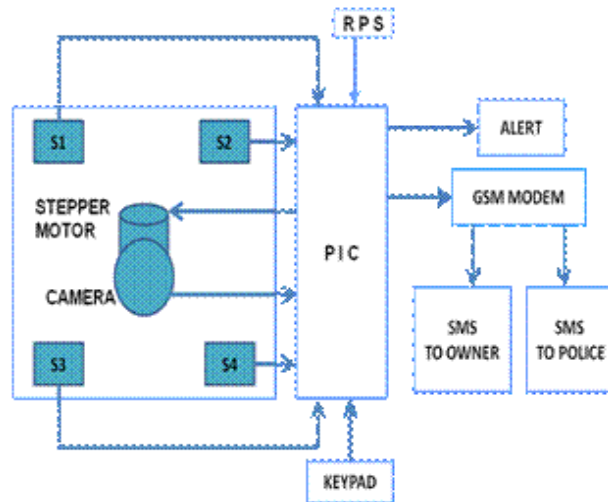


Fig 1: Block diagram

PIC16F877A belongs to a category of eight-bit microcontrollers of RISC Architecture. PIC microcontroller is an excellent powerful completely featured processor with Internal RAM, EEPROM FLASH memory and peripherals

5.PIR Motion Detector Module:

PIR sensors allow you to feel motion, almost always used to stumble on whether a human has moved in or out of the sensors range. They are small, less expensive, low-strength, easy to apply and don't put on out[28-34]. For that cause they're usually determined in appliances and devices used in homes or corporations. They are often known as PIR, "Passive Infrared", "Pyroelectric", or "IR movement" sensors.

To increase the efficiency of SIP signaling, yet hold one hundred% standards compatibility with external VoIP systems and tender switches, xG has created patent pending SIP compression technology for the Invisible Eye device that reduces SIP overhead bandwidth from 400% to sixty six% at the over the air hyperlinks and backhaul hyperlinks from the Base Stations to the Invisible Eye MSCs. The MSCs do the SIP compression and decompression to hold one hundred% interoperability with third-birthday party VoIP systems[35-38]. This additionally has the gain of creating greater bandwidth to be had for mobile information packages being carried alongside voice site visitors[39-45].

6. Working

- **Step 1:** User enters the password, if password entered is correct the gadget starts else he's caused to re-input the password.
- **Step 2:** If sensors sense any trade, then an intrusion is detected. Else there may be no intrusion.
- **Step 3:** If intrusion is detected, then recording and an electronic mail is relay triggered, stepper motor rotates sent to the person the digital camera starts off evolved

CONCLUSION

Invisible Eye protection gadget solves some of the problems confronted by way of the more than one digital camera primarily based structures at an easily low priced fee.

The biggest advantage is that we will avoid having to wade through hours of photos of empty rooms. One also can avoid having to put in more than one cameras to cowl a empty room.

Cost required for the setup is very much less in comparison to multiple camera based totally device.

We can avoid hours of pictures of empty rooms. Good view of the video photos can be acquired as digital camera turns 360°.

This work can be prolonged to absolutely put off the use of the microcontroller and alternatively use parallel port of the PC to screen the sensors. Also advanced photo processing strategies may be implemented to song the intruder once his function has been recognized.

REFERENCES

1. Hameed Hussain, J., Sharavanan, R., Floor cleaning machine by remote control, International Journal of Pure and Applied Mathematics, V-116, I-14 Special Issue, PP-461-464, 2017
2. Hameed Hussain, J., Srinivasan, V., Extraction of polythene waste from domestic waste, International Journal of Pure and Applied Mathematics, V-116, I-14 Special Issue, PP-427-431, 2017

3. Hameed Hussain, J., Thirumavalavan, S., Flow analysis of copper tube for solar trough collector without joint, *International Journal of Pure and Applied Mathematics*, V-116, I-14 Special Issue, PP-541-544, 2017
4. Hanirex, D.K., Kaliyamurthie, K.P., Mining the financial multi-relationship with accurate models, *Middle - East Journal of Scientific Research*, V-19, I-6, PP-795-798, 2014
5. Hemapriya, M., Meikandaan, T.P., Repair of damaged reinforced concrete beam by externally bonded with CFRP sheets, *International Journal of Pure and Applied Mathematics*, V-116, I-13 Special Issue, PP-473-479, 2017
6. Hemapriya, M., Meikandaan, T.P., Experimental study on changes in properties of cement concrete using steel slag and fly ash, *International Journal of Pure and Applied Mathematics*, V-116, I-13 Special Issue, PP-369-375, 2017
7. Hemapriya, M., Meikandaan, T.P., Experimental study on structural repair and strengthening of RC beams with FRP laminates, *International Journal of Pure and Applied Mathematics*, V-116, I-13 Special Issue, PP-355-361, 2017
8. Hemapriya, M., Meikandaan, T.P., Effect of high range water reducers on sorptivity and water permeability of concrete, *International Journal of Pure and Applied Mathematics*, V-116, I-13 Special Issue, PP-377-381, 2017
9. Hemapriya, M., Meikandaan, T.P., Strength and workability characteristics of super plasticized concrete, *International Journal of Pure and Applied Mathematics*, V-116, I-13 Special Issue, PP-345-353, 2017
10. Hemapriya, M., Meikandaan, T.P., Potency and workability behavior of quality plasticized structural material, *International Journal of Pure and Applied Mathematics*, V-116, I-13 Special Issue, PP-363-367, 2017
11. Hussain, J.H., Manavalan, S., Optimization of properties of jatropha methyl Ester (JME) from jatropha oil, *International Journal of Pure and Applied Mathematics*, V-116, I-18 Special Issue, PP-481-484, 2017
12. Hussain, J.H., Manavalan, S., Optimization and comparison of properties of neem and jatropha biodiesels, *International Journal of Pure and Applied Mathematics*, V-116, I-17 Special Issue, PP-79-82, 2017
13. Hussain, J.H., Meenakshi, C.M., Simulation and analysis of heavy vehicles composite leaf spring, *International Journal of Pure and Applied Mathematics*, V-116, I-17 Special Issue, PP-135-140, 2017
14. Hussain, J.H., Nimal, R.J.G.R., Review: Investigation on mechanical properties of different metal matrix composites in diffusion bonding method by using metal interlayers, *International Journal of Pure and Applied Mathematics*, V-116, I-18 Special Issue, PP-459-464, 2017
15. Jagadeeswari, P., Subashini, G., Basic results of probability, *International Journal of Pure and Applied Mathematics*, V-116, I-17 Special Issue, PP-275-276, 2017
16. Janani, V.D., Kavitha, S., Conceptual level similarity measure based review spam detection adversarial spam detection using the randomized hough transform-support vector machine, *International Journal of Pure and Applied Mathematics*, V-116, I-9 Special Issue, PP-197-201, 2017
17. Jasmin, M., Beulah Hemalatha, S., Security for industrial communication system using encryption / decryption modules, *International Journal of Pure and Applied Mathematics*, V-116, I-15 Special Issue, PP-563-567, 2017
18. Jasmin, M., Beulah Hemalatha, S., VLSI-based frequency spectrum analyzer for low area chip design by using yasmirub method, *International Journal of Pure and Applied Mathematics*, V-116, I-15 Special Issue, PP-557-560, 2017

19. Jasmin, M., Beulah Hemalatha, S., RFID security and privacy enhancement, International Journal of Pure and Applied Mathematics, V-116, I-15 Special Issue, PP-535-538, 2017
20. Jasmin, M., Beulah Hemalatha, S., Digital phase locked loop, International Journal of Pure and Applied Mathematics, V-116, I-15 Special Issue, PP-569-574, 2017
21. Jeyalakshmi, G., Arulselvi, S., Community oriented configurations for WSN, International Journal of Pure and Applied Mathematics, V-116, I-15 Special Issue, PP-529-533, 2017
22. Jeyalakshmi, G., Arulselvi, S., Investigating file systems, International Journal of Pure and Applied Mathematics, V-116, I-15 Special Issue, PP-517-521, 2017
23. Jeyalakshmi, G., Arulselvi, S., Methodology for the development of lambda calculus, International Journal of Pure and Applied Mathematics, V-116, I-15 Special Issue, PP-511-515, 2017
24. Jeyalakshmi, G., Arulselvi, S., Remote procedure calls in access points, International Journal of Pure and Applied Mathematics, V-116, I-15 Special Issue, PP-523-526, 2017
25. Jeyanthi Rebecca, L., Anbuselvi, S., Sharmila, S., Medok, P., Sarkar, D., Effect of marine waste on plant growth, Der Pharmacia Lettre, V-7, I-10, PP-299-301, 2015
26. Kaliyamurthi, K.P., Parameswari, D., Udayakumar, R., Malicious packet loss during routing misbehavior-identification, Middle - East Journal of Scientific Research, V-20, I-11, PP-1413-1416, 2014
27. Kanagavalli, G., Sangeetha, M., Intelligent trafficlight system for reducedfuel consumption, International Journal of Pure and Applied Mathematics, V-116, I-15 Special Issue, PP-491-494, 2017
28. Kanagavalli, G., Sangeetha, M., GPS based blind pedestrian positioning and voice response system, International Journal of Pure and Applied Mathematics, V-116, I-15 Special Issue, PP-479-484, 2017
29. Kanagavalli, G., Sangeetha, M., Detection of retinal abnormality by contrast enhancement methodusingcurvelet transform, International Journal of Pure and Applied Mathematics, V-116, I-15 Special Issue, PP-497-502, 2017
30. Kanagavalli, G., Sangeetha, M., Design of low power VLSI circuits for precharge logic, International Journal of Pure and Applied Mathematics, V-116, I-15 Special Issue, PP-505-509, 2017
31. Kanniga, E., Selvamarathnam, K., Sundararajan, M., Kandigital bike operating system, Middle - East Journal of Scientific Research, V-20, I-6, PP-685-688, 2014
32. Karthik, B., Arulselvi, Noise removal using mixtures of projected gaussian scale mixtures, Middle - East Journal of Scientific Research, V-20, I-12, PP-2335-2340, 2014
33. Karthik, B., Arulselvi, Selvaraj, A., Test data compression architecture for lowpowervlsi testing, Middle - East Journal of Scientific Research, V-20, I-12, PP-2331-2334, 2014
34. Karthikeyan, R., Michael, G., Kumaravel, A., A housing selection method for design, implementation&evaluation for web based recommended systems, International Journal of Pure and Applied Mathematics, V-116, I-8 Special Issue, PP-23-27, 2017
35. Khanaa, V., Thooyamani, K.P., Using lookup table circulating fluidised bed combustion boiler by the method of sensor output linearization, Middle - East Journal of Scientific Research, V-16, I-12, PP-1801-1806, 2013
36. Khanaa, V., Thooyamani, K.P., Face routing protocol using genetic algorithm in, Middle - East Journal of Scientific Research, V-16, I-12, PP-1863-1867, 2013
37. Khanaa, V., Thooyamani, K.P., Udayakumar, R., Two factor authentication using mobile phones, World Applied Sciences Journal, V-29, I-14, PP-208-213, 2014
38. Khanaa, V., Thooyamani, K.P., Udayakumar, R., Next major wave of it inovation, World Applied Sciences Journal, V-29, I-14, PP-218-220, 2014

39. Khanaa, V., Thooyamani, K.P., Udayakumar, R., Traffic policing approach for wireless video conference traffic, *World Applied Sciences Journal*, V-29, I-14, PP-200-207, 2014
40. Khanaa, V., Thooyamani, K.P., Udayakumar, R., Patient monitoring in gene ontology with words computing using SOM, *World Applied Sciences Journal*, V-29, I-14, PP-195-199, 2014
41. Khanaa, V., Thooyamani, K.P., Udayakumar, R., Load balancing in structured PEER to PEER systems, *World Applied Sciences Journal*, V-29, I-14, PP-186-189, 2014
42. Khanaa, V., Thooyamani, K.P., Udayakumar, R., Impact of route stability under random based mobility model in MANET, *World Applied Sciences Journal*, V-29, I-14, PP-274-278, 2014
43. Khanaa, V., Thooyamani, K.P., Udayakumar, R., Modelling Cloud Storage, *World Applied Sciences Journal*, V-29, I-14, PP-190-194, 2014
44. Khanaa, V., Thooyamani, K.P., Udayakumar, R., Elliptic curve cryptography using in multicast network, *World Applied Sciences Journal*, V-29, I-14, PP-264-269, 2014
45. Khanaa, V., Thooyamani, K.P., Udayakumar, R., SRW/U as a lingua franca in managing the diversified information resources, *World Applied Sciences Journal*, V-29, I-14, PP-279-284, 2014

