

FC-DVR based Control Strategy for Enhanced Voltage Compensation

A Janak Bharadwaj¹, G Naresh Kumar²,
Dr. N. Bhoopal³

¹Research Scholar, ²Assistant Professor,
³Professor & Head,

Dept of EEE,

B.V.Raju Institution of Technology,

Narsapur Medak(Dist),

Telangana, India

April 30, 2018

Abstract

This work deals with improving the voltage quality of sensitive loads from voltage sags using a Fuel Cell based Dynamic Voltage Restorer (FC-DVR). The existing control strategies either mitigate the phase jump or improve the utilization of dc link energy by 1) reducing the amplitude of the injected voltage or 2) optimizing the dc bus energy support. In this work, an enhanced sag compensation strategy is proposed, which mitigates the voltage sag in the load voltage while improving the overall sag compensation time. An analytical study shows that the proposed method significantly increases the FC-DVR sag support time (more than 50%) compared with the existing compensation methods. The performance of the proposed method is evaluated using simulation study and nally veried experimentally using MATLAB/SIMULINK.

Key Words:DVR; BESS; SRF; VSC; Fuel Cell

1 Introduction

The solicitation of voltage-sensitive equipment, such as automatic production lines, computer centers, hospital equipment, programmable logic controllers (PLC), and adjustable speed drives (ASD), and air-conditioning controllers [1] has been increasing. Voltage sag is defined as the decrease in voltage RMS between 0.1 and 0.9 PU within 0.5 cycles to a few seconds. Swell is defined as an increase in nominal voltage between 1.1 and 1.8 PU during 0.5 cycles to 1 minute. Faults or large induction motors starting in the power system may cause voltage sags or swell. Consequently, other equipment may shut down. A solution for power quality improvement is to use custom power devices like a dynamic voltage restorer (DVR). External energy storage is necessary to provide the requirement for real power. Thus, the maximum amount of real power that can be provided to the load during voltage sag mitigation is a deciding factor of the capability of a DVR. However, the energy requirement cannot be met by the application of such phase advance technology alone to compensate the deep sag of long duration [2]. Custom power devices are mainly of three categories such as series-connected compensators known as dynamic voltage restorers (DVRs), shunt-connected compensators such as distribution static compensators, and a combination of series- and shunt-connected compensators known as unified power quality conditioner [2][6]. The DVR can regulate the load voltage from the problems such as sag, swell, and harmonics in the supply voltages. Hence, it can protect the critical consumer loads from tripping and consequent losses [2]. The custom power devices are developed and installed at consumer point to meet the power quality standards such as IEEE-519 [7].

Voltage sags in an electrical grid are not always possible to avoid because of the finite clearing time of the faults that cause the voltage sags and the propagation of sags from the Transmission and distribution systems to the low-voltage loads. Voltage sags are the common reasons for interruption in production plants and for end-user equipment malfunctions in general. In particular, tripping of equipment in a production line can cause production interruption and significant costs due to loss of production. One solution to this problem is to make the equipment itself more tolerant to sags,

either by intelligent control or by storing ride-through energy in the equipment. An alternative solution, instead of modifying each component in a plant to be tolerant against voltage sags, is to install a plant wide uninterruptible power supply system for longer power interruptions or a DVR on the incoming supply to mitigate voltage sags for shorter periods [8][23]. DVRs can eliminate most of the sags and minimize the risk of load tripping for very deep sags, but their main drawbacks are their standby losses, the equipment cost, and also the protection scheme required for downstream short circuits.

Many solutions and their problems using DVRs are reported, such as the voltages in a three-phase system are balanced [8] and an energy-optimized control of DVR is discussed in [10]. Industrial examples of DVRs are given in [11], and different control methods are analyzed for different types of voltage sags in [12][18]. A comparison of different topologies and control methods is presented for a DVR in [19]. The design of a capacitor-supported DVR that protects sag, swell, distortion, or unbalance in the supply voltages is discussed in [17]. The performance of a DVR with the high-frequency-link transformer is discussed in [24]. In this paper, the control and performance of a DVR are demonstrated with a reduced-rating voltage source converter (VSC). The synchronous reference frame (SRF) theory is used for the control of the DVR.

2 FUEL CELL

A fuel cell is a device that converts the chemical energy from a fuel into electricity through a chemical reaction of positively charged hydrogen ions with oxygen or another oxidizing agent.[1] Fuel cells are different from batteries in that they require a continuous source of fuel and oxygen or air to sustain the chemical reaction, whereas in a battery the chemicals present in the battery react with each other to generate an electromotive force (emf). Fuel cells can produce electricity continuously for as long as these inputs are supplied.

The first fuel cells were invented in 1838. The first commercial use of fuel cells came more than a century later in NASA space programs to generate power for satellites and space capsules. Since then, fuel cells have been used in many other applications. Fuel

cells are used for primary and backup power for commercial, industrial and residential buildings and in remote or inaccessible areas. They are also used to power fuel cell vehicles, including forklifts, automobiles, buses, boats, motorcycles and submarines. There are many types of fuel cells, but they all consist of an anode, a cathode, and an electrolyte that allows positively charged hydrogen ions (or protons) to move between the two sides of the fuel cell. The anode and cathode contain catalysts that cause the fuel to undergo oxidation reactions that generate positively charged hydrogen ions and electrons. The hydrogen ions are drawn through the electrolyte after the reaction. At the same time, electrons are drawn from the anode to the cathode through an external circuit, producing direct current electricity. At the cathode, hydrogen ions, electrons, and oxygen react to form water. As the main difference among fuel cell types is the electrolyte, fuel cells are classified by the type of electrolyte they use and by the difference in startup time ranging from 1 second for proton exchange membrane fuel cells (PEM fuel cells, or PEMFC) to 10 minutes for solid oxide fuel cells (SOFC). Individual fuel cells produce relatively small electrical potentials, about 0.7 volts, so cells are "stacked", or placed in series, to create sufficient voltage to meet an application's requirements.[2] In addition to electricity, fuel cells produce water, heat and, depending on the fuel source, very small amounts of nitrogen dioxide and other emissions. The energy efficiency of a fuel cell is generally between 40-60%, or up to 85% efficient in cogeneration if waste heat is captured for use.

3 WORKING OF DVR

The schematic of a DVR-Connected system is shown in Fig. 1. The voltage V_{inj} is inserted such that the load voltage V_{load} is constant in magnitude and is undistorted, although the supply voltage V_s is not constant in magnitude or is distorted.

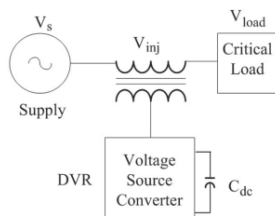


Fig. 1. Basic circuit of DVR.

Injection schemes of the DVR. VL (presag) is a voltage across the critical load prior to the voltage sag condition. During the Voltage sag, the voltage is reduced to V_s with a phase lag angle of ϕ . Now, the DVR injects a voltage such that the load voltage magnitude is maintained at the pre-sag condition. The DVR is operated in this scheme with a Lithium-Ion battery energy storage system (LI-BESS). Fig. 2 shows a schematic of a three-phase DVR connected to restore the voltage of a three-phase critical load. A three-phase supply is connected to a critical and sensitive load through a three-phase series injection transformer. The equivalent voltage of the supply of phase a V_{Ma} is connected to the point of common coupling (PCC) V_{Sa} through short-circuit impedance Z_{sa} . The voltage injected by the DVR in phase a V_{Ca} is such that the load voltage V_{La} is of rated magnitude and undistorted. The three-phase DVR is connected to the line to inject a voltage in series using three single-phase transformers T_r . L_r and C_r represent the filter components used to filter the ripples in the injected voltage. A three-leg VSC with Insulated-Gate Bipolar Transistors (IGBTs) is used as a DVR, and a LI-BESS is connected to its DC bus.

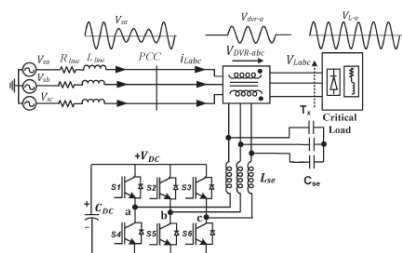


Fig. 2. Schematic of the DVR-connected system

The compensation for voltage sags using a DVR can be performed by injecting or absorbing the reactive power or the real

power [17]. When the injected voltage is in quadrature with the current at the fundamental frequency, the compensation is made by injecting reactive power and the DVR is with a self-supported dc bus. However, if the injected voltage is in-phase with the current, DVR injects real power, and hence, Fuel Cell is required at the dc bus of the VSC. The control technique adopted should consider the limitations such as the voltage injection capability (converter and transformer rating) and optimization of the size of energy storage.

Fig. 3 shows a control block of the DVR in which the SRF theory is used for reference signal estimation. The voltages at the PCC VS and at the load terminal VL are sensed for deriving the IGBTs gate signals. The reference load voltage V is extracted using the derived unit vector [23]. Load voltages (VL_a, VL_b, VL_c) are converted to the rotating reference frame using abcdo conversion using Parks transformation with unit vectors (sin, cos) derived using a phase-locked loops.

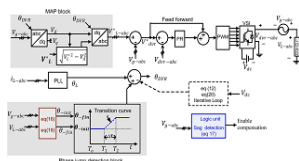


Fig. 3. Control block of the DVR that uses the SRF method of control

4 SIMULATION AND MODELING

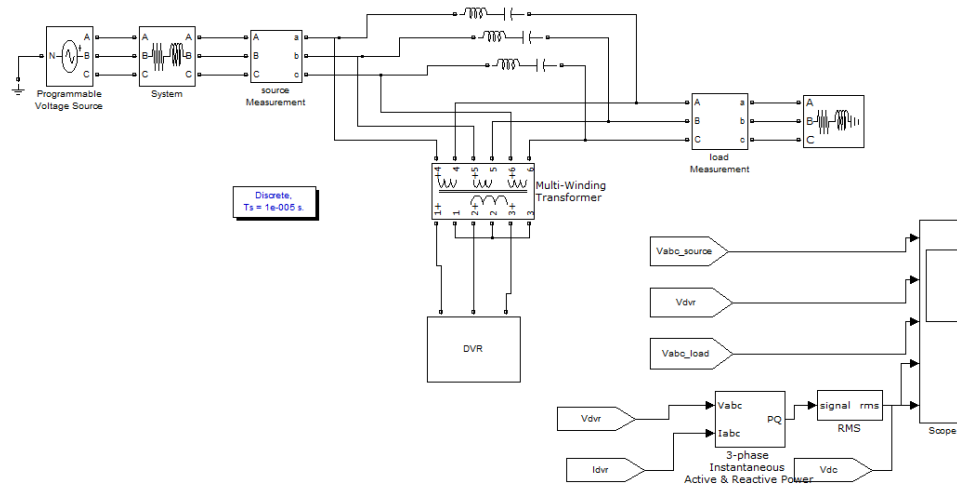


Fig: 4

A. Simulink of Fuel Cell based DVR:

The Fuel Cell based DVR connected system consisting of a three-phase supply, three-phase critical loads, and the series injection transformers shown in Fig. 5 is simulated as follows.

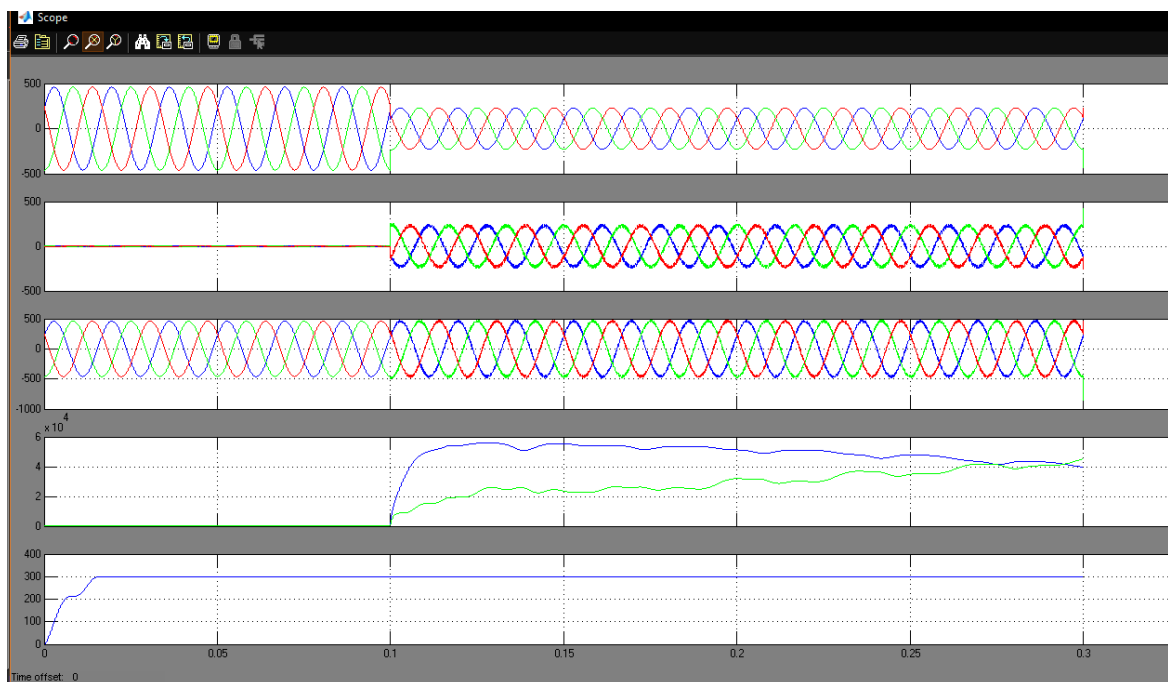


Fig: 5 Simulink of DVR based Fuel Cell

5 PERFORMANCE OF FUEL CELL BASED DVR

The performance of the Fuel cell based DVR is demonstrated for supply voltage disturbances i.e voltage sag. At 0.1 s, a sag in supply voltage is created. In this paper simulation results for both with and without Fuel Cell based DVR has been presented

A. Case:1 DVR with BESS system.

In this case performance of the DVR has been observed without BESS, a voltage disturbance i.e voltage sag has been created at 0.1 and removed at 0.15s. Here the DVR injected voltage magnitude is 200V. .

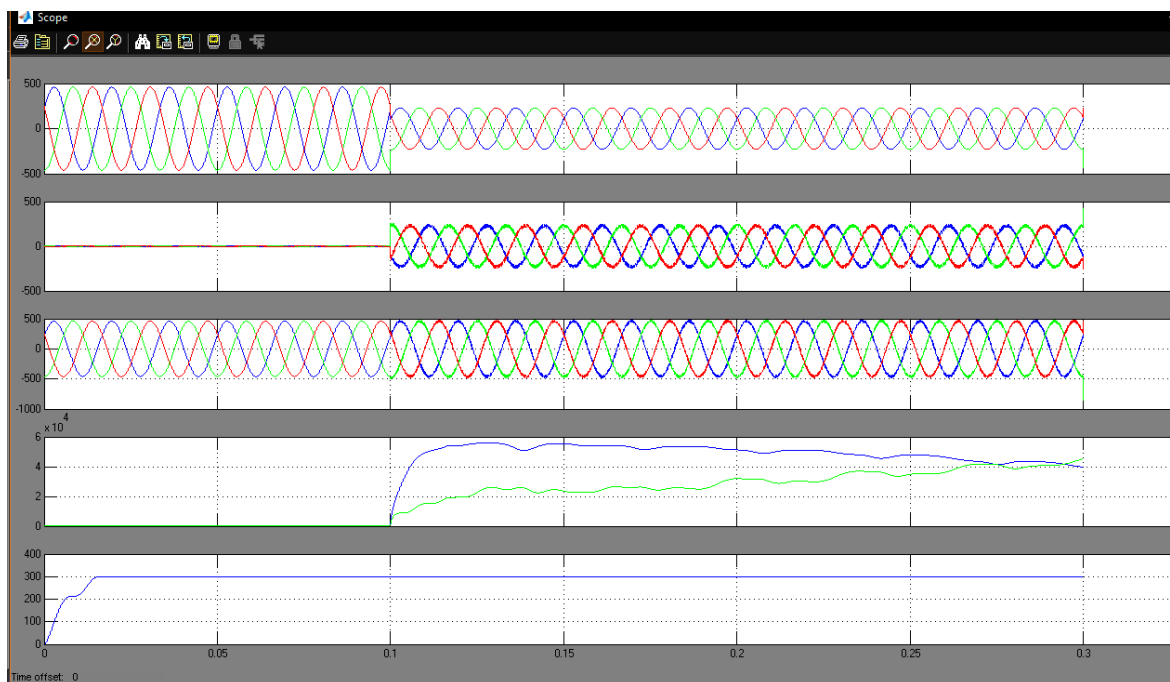


Fig. 6. Performance of the DVR with BESS

B. Case:2 DVR with Fuel Cell system.

In this case performance of the DVR has been observed with Fuel Cell, a voltage disturbance i.e voltage sag has been created at 0.1s and removed at 0.15s

Performance assessment by field boundary-based method	<p>① Specifics of preliminary checkup - Using the reference points at the time of registration as much as possible. - Indicate reasons for any decisions that differ from previous surveying performance.</p> <p>② Determining reference points</p> <p>i) Direction line maximum 10 cm long at a registered boundary point (max. 120m at 1/1,200).</p> <p>ii) Within the size of drawing perimeter.</p> <p>iii) Within the block (when blocks are marked out, they should be filled with different colors).</p> <p>iv) In case there is no adequate reference line, the length of the direction line at the registered boundary may be extended twofold at most (within 300m at 1/1,200).</p> <p>③ By land lots as at the time of the land survey. - Using a minimum of three land lots as at the time of the land survey. - The surveyed land used in performance assessment should be kept in a triangular shape as much as possible.</p> <p>④ By existing registered point - Check and apply existing registration points near to the site.</p> <p>⑤ By topography or geographic features - Use wall, rail track, retaining wall, etc. near the site which are customarily used.</p> <p>⑥ In case the above ②, ③, and ④ are combined, performance should be assessed while focusing on the sequence and by judging their overall adequacy.</p>
Case in which performance assessment taps into both control point and field boundary-based method	<p>① Applying performance separation by checking the adequacy of control point and field boundary-based method.</p> <p>② Assessing performance so that overlapping or vacancy among adjacent land lots can be minimized.</p>
Performance assessment in areas without survey history	<p>① Assess performance by installing a supplemental control point and then checking its adequacy.</p> <p>② If not inadequate, add to or subtract from the performance in the supplemental survey.</p> <p>③ Check adequacy for nearby areas without survey history.</p>

Fig. 8. Performance of the DVR with Fuel Cell

6 CONCLUSION

An enhanced sag compensation scheme has been proposed for the capacitor-supported DVR. The proposed strategy improves the voltage quality of sensitive loads by protecting them against the grid voltage sags involving the phase jump. In this Project DVR with BESS and DVR with FUEL CELL has been presented. The simulation results clearly shows that the DVR with Fuel cell can be used as an alternative for the batteries due to the constant voltage capabilities.

References

- [1] M. H. J. Bollen, Understanding Power Quality Problems Voltage Sags and Interruptions. New York, NY, USA: IEEE Press, 2000.
- [2] A. Ghosh and G. Ledwich, Power Quality Enhancement Using Custom Power Devices. London, U.K.: Kluwer, 2002.
- [3] M. H. J. Bollen and I. Gu, Signal Processing of Power Quality Disturbances. Hoboken, NJ, USA: Wiley-IEEE Press, 2006.

- [4] R. C. Dugan, M. F. McGranaghan, and H. W. Beaty, *Electric Power Systems Quality*, 2nd ed. New York, NY, USA: McGraw-Hill, 2006.
- [5] A. Moreno-Munoz, *Power Quality: Mitigation Technologies in a Distributed Environment*. London, U.K.: Springer-Verlag, 2007.
- [6] K. R. Padiyar, *FACTS Controllers in Transmission and Distribution*. New Delhi, India: New Age Int., 2007. IEEE Recommended Practices and Recommendations for Harmonics Control in Electric Power Systems, IEEE Std. 519, 1992.
- [7] V. B. Bhavraju and P. N. Enjeti, An active line conditioner to balance voltages in a three phase system, *IEEE Trans. Ind. Appl.*, vol. 32, no. 2, pp. 287292, Mar./Apr. 1996.
- [8] S. Middlekauff and E. Collins, System and customer impact, *IEEE Trans. Power Del.*, vol. 13, no. 1, pp. 278282, Jan. 1998.
- [9] M. Vilathgamuwa, R. Perera, S. Choi, and K. Tseng, Control of energy optimized dynamic voltage restorer, in *Proc. IEEE IECON*, 1999, vol. 2, pp. 873878.
- [10] J. G. Nielsen, F. Blaabjerg, and N. Mohan, Control strategies for dynamic voltage restorer compensating voltage sags with phase jump, in *Proc. IEEE APEC*, 2001, vol. 2, pp. 12671273.
- [11] A. Ghosh and G. Ledwich, Compensation of distribution system voltage using DVR, *IEEE Trans. Power Del.*, vol. 17, no. 4, pp. 10301036, Oct. 2002.
- [12] A. Ghosh and A. Joshi, A new algorithm for the generation of reference voltages of a DVR using the method of instantaneous symmetrical components, *IEEE Power Eng. Rev.*, vol. 22, no. 1, pp. 6365, Jan. 2002.
- [13] I.-Y. Chung, D.-J. Won, S.-Y. Park, S.-I. Moon, and J.-K. Park, The DC link energy control method in dynamic voltage restorer system, *Int. J. Elect. Power Energy Syst.*, vol. 25, no. 7, pp. 525531, Sep. 2003.

- [14] E. C. Aeloza, P. N. Enjeti, L. A. Morn, O. C. Montero-Hernandez, and S. Kim, Analysis and design of a new voltage sag compensator for critical loads in electrical power distribution systems, *IEEE Trans. Ind. Appl.*, vol. 39, no. 4, pp. 11431150, Jul./Aug. 2003.
- [15] J. W. Liu, S. S. Choi, and S. Chen, Design of step dynamic voltage regulator for power quality enhancement, *IEEE Trans. Power Del.*, vol. 18, no. 4, pp. 14031409, Oct. 2003.
- [16] A. Ghosh, A. K. Jindal, and A. Joshi, Design of a capacitor supported dynamic voltage restorer for unbalanced and distorted loads, *IEEE Trans. Power Del.*, vol. 19, no. 1, pp. 405413, Jan. 2004.
- [17] A. Ghosh, Performance study of two different compensating devices in a custom power park, *Proc. Inst. Elect. Eng. Gener., Transm. Distrib.*, vol. 152, no. 4, pp. 521528, Jul. 2005.
- [18] J. G. Nielsen and F. Blaabjerg, A detailed comparison of system topologies for dynamic voltage restorers, *IEEE Trans. Ind. Appl.*, vol. 41, no. 5, pp. 12721280, Sep./Oct. 2005.
- [19] M. R. Banaei, S. H. Hosseini, S. Khanmohamadi, and G. B. Gharehpetian, Verification of a new energy control strategy for dynamic voltage restorer by simulation, *Simul. Model. Pract. Theory*, vol. 14, no. 2, pp. 112125, Feb. 2006.
- [20] A. K. Jindal, A. Ghosh, and A. Joshi, Critical load bus voltage control using DVR under system frequency variation, *Elect. Power Syst. Res.*, vol. 78, no. 2, pp. 255263, Feb. 2008.
- [21] D. M. Vilathgamuwa, H. M. Wijekoon, and S. S. Choi, A novel technique to compensate voltage sags in multilines distribution system The interline dynamic voltage restorer, *IEEE Trans. Ind. Electron.*, vol. 53, no. 5, pp. 16031611, Oct. 2006.
- [22] A. Chandra, B. Singh, B. N. Singh, and K. Al-Haddad, An improved control algorithm of shunt active filter for voltage regulation, harmonic elimination, power-factor correction, and balancing of nonlinear loads, *IEEE Trans. Power Electron.*, vol. 15, no. 3, pp. 495507, May 2000.

- [23] A. Y. Goharrizi, S. H. Hosseini, M. Sabahi, and G. B. Gharehpetian, Three-phase HFL-DVR with independently controlled phases, *IEEE Trans. Power Electron.*, vol. 27, no. 4, pp. 17061718, Apr. 2012.